

High Performance LGA Cooling Solutions*

DIGI-KEY PART # ATS1357-ND

ATS PART # ATS-57000-C1-R0

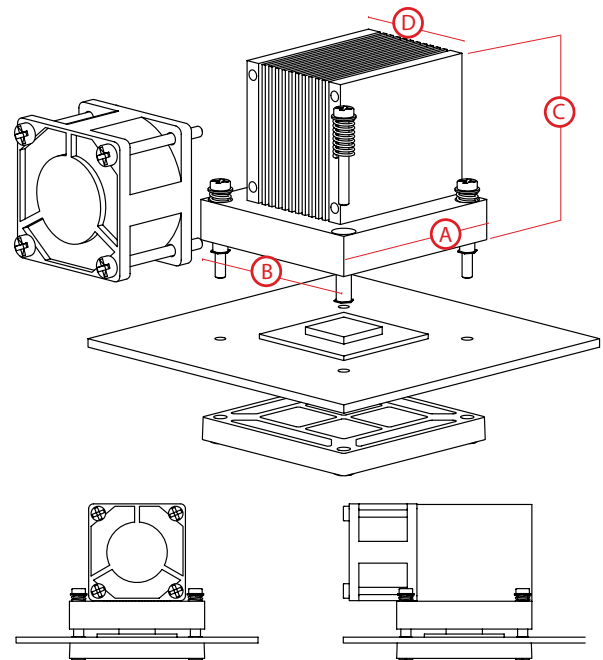
Features & Benefits

Continuous air flow is provided by a Sayno Denki DC fan (included)

Provides high capacity cooling for high power LGAs

Unique attachment minimizes mechanical stress on the device

Includes stand-offs with springs, screws and backing plate for direct attachment to the PCB



Thermal Performance Table

AIR VELOCITY		THERMAL RESISTANCE	
FT/MIN	M/S	°C/W (UNDUCTED)	°C/W (DUCTED)
200	1.0	N/A	0.51 (FAN SINK)
300	1.5	N/A	
400	2.0	N/A	
500	2.5	N/A	
600	3.0	N/A	
700	3.5	N/A	
800	4.0	N/A	

Product Details†

DIMENSION A	DIMENSION B	DIMENSION C‡	DIMENSION D	TIM†	FINISH
56	56	52	36.5	NO TIM	BLACK-ANODIZED

For further technical information, please contact Advanced Thermal Solutions, Inc. at **1-781-769-2800** or **www.qats.com**

* RoHS Compliant

‡ TIM = Thermal Interface Material

† Dimensions are measured in millimeters

§ Dimension C = the height of the heat sink shown above and does not include the height of the attachment method



ATS ADVANCED THERMAL SOLUTIONS, INC.

Innovations in Thermal Management®



To place an order, please visit **www.digikey.com**